



SUNON®

Natural,
Comfort Experience

BLDC

HVLS Fan

*All products are RoHS compliant.

PORTABLE HVLS FAN

Industrial Portable Fan

SUNON Portable HVLS Fan is designed to be easily move by a person through the work areas. 2M fan generates powerful airflow to enhance better ventilation and reduce human body temperature. Using SUNON BLDC motor not only save energy, but also generate powerful airflow with quiet sound.



BLDC Motor

BLDC Motor technology energy-saving but powerful



Universal Voltage

100 V~ 240 V



Strengthen

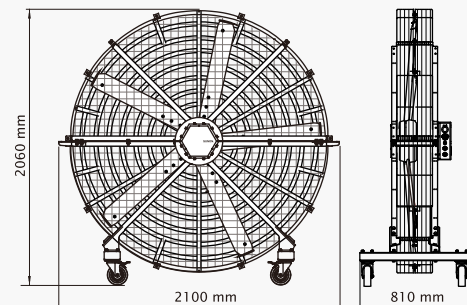
Hexagonal hub and rib design strengthen frame structure to ensure portable fan more stable and safe.



Safety Comply

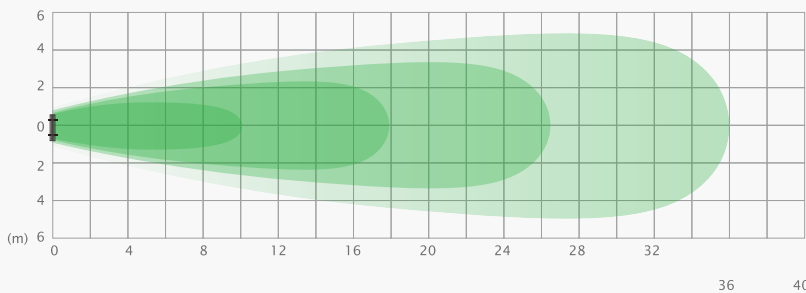
Cage design comply with IEC 60335-1 for safety requirement

| Specification | |
|-------------------------|--------------------------|
| Dimension (W x H x D) | 2060 x 2100 x 810 mm |
| Power Sour | 100-240 VAC, 1Φ, 50/60Hz |
| Weight | 130 Kg |
| Speed (Max) | 285 RPM |
| Power Consumption (Max) | 523 W |
| Noise | <50 dB(A) |
| Rated Current (Max) | 5.13 A |
| IP Rating | IP55 |
| Control | Knob |



► Facility Type

Warehouse, Factory, Car display, Fitness center, Gymnasium, Exhibition hall



Air reaches 36 meters away
(1/3 length of football field)

*Environment -This product is not suitable for salt air environments.

*Weight: fan unit only, the mount and the extension tube are not included.

※ The above specifications are test from SUNON Lab and the data will be affected by different environmental conditions.

※ Specifications are subject to change without notice. Final spec. please visit SUNON website at www.sunon.com.

Easy Move | Safe Design | IP 55





Ship repair yard



Gym



Dairy farm



School Hall



Factory



School

Success Case

Scan the QR Code for more application fields



Hardware factory



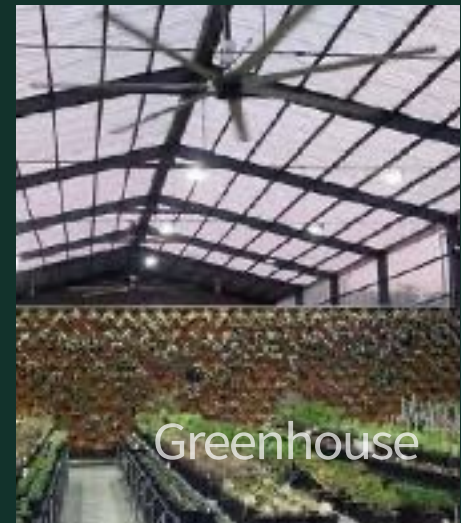
Residential



Hospitality



Warehouse



Greenhouse



Swimming



Shopping street

SUNON®

Headquarters
Sunonwealth Electric Machine Industry Co., Ltd.
TEL : +886-7-8135888
E-mail : sunon@sunon.com



Hamilton Air
Luxury Lifestyle Living



HAMILTON AIR TECHNOLOGY JSC.,

Office & Showroom: 304-306 Truong Van Bang, Thanh My Loi
Thu Duc City, Ho Chi Minh
Email: sale@hogiaphat.vn Mobile: +84913123860

AUTHORIZED DISTRIBUTOR



2023/06/20(075-W)

© 2023 SUNONWEALTH Electric Machine Industry Co., Ltd.